

DATA SHEET

Alarm Sounder

A continuously rated compact sounder, ideal for fire and security applications

Maximum output: 104dB(A) @ 1 metre

Nominal output: 100dB(A) @ 1m +/-3dB, Tone 2

32 alarm tones

3 stage alarm option

Volume control (both AC & DC versions)

Automatic synchronisation on multi-sounder systems

32m effective range @ 1kHz

Voltages: 24vdc(10-30vdc); 48vdc(35-60vdc); 24vac; 115vac; 230vac

Other voltages available upon request

DC versions may be used on 24vac +/-10% for single stage applications

Reverse polarity switching on DC units

IP55 - can be increased to IP56 (dust protected, watertight) with WR kit

Tropicalisation available on request

Enclosure material: UL94V0 & 5VA rated FR ABS

Colour available: Red (RAL3000), Grey or White

Operating temperature: -25 to +55°C

Storage temperature: -40 to +70°C

Relative humidity: 90% at 20°C

Weight:A100N: DC: 0.26Kg AC: 0.37Kg
AL100N: DC: 0.46Kg AC: 0.57Kg

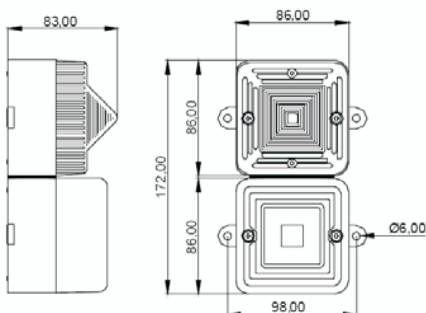
VdS approved to EN54-3 (CPD 89/106/EEC)

3 x gland knockouts in side and back

Unit can be mounted using external lugs or internal BESA compatible fixing positions

All units offer IN and OUT terminals

Terminals accept 0.5 to 2.5mm² cables



www.sabreh2s.com