

## DATA SHEET

### EEx Combined Alarm Sounder & Beacon

CS110-05D : EEx d IIB T4 (Tamb. -50 to +55°C)

ATEX / CENELEC / FTZU / IECEx / GOST R

Voltages : 12vdc;24vdc;48vdc;115vac;230vac  
Sounder

Maximum output : 117dB(A) @ 1 metre  
Nominal output : 110dB(A) @ 1m +/- 3dB - Tone 2

32 alarm tones (UKOOA / PFEER compliant)

3 stage alarm

Volume control (except 12vdc unit)

Automatic synchronisation on multi-sounder systems

100m effective range @ 1kHz

Negative or positive remote switching Beacon

5 Joule Xenon : 1Hz (60 FPM) (5 Ws)

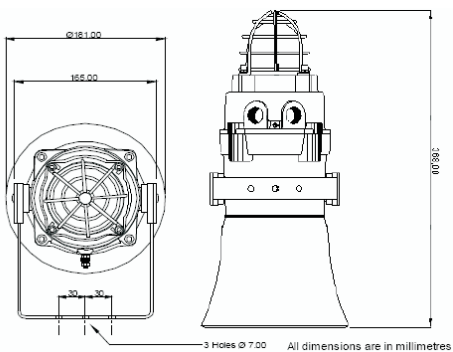
Six lens colours available : Amber, Blue, Clear, Green,  
Red & Yellow

Automatic synchronisation on multi-beacon systems

Beacons can be set to 'flip-flop' alternating mode with  
other units on multi-beacon systems

Tube life : emissions reduced to 70% after 8 million  
flashes

Xenon tubes mechanically secured against  
shock/vibration Maximum output: 112dB(A) @ 1 metre



[www.sabreh2s.com](http://www.sabreh2s.com)